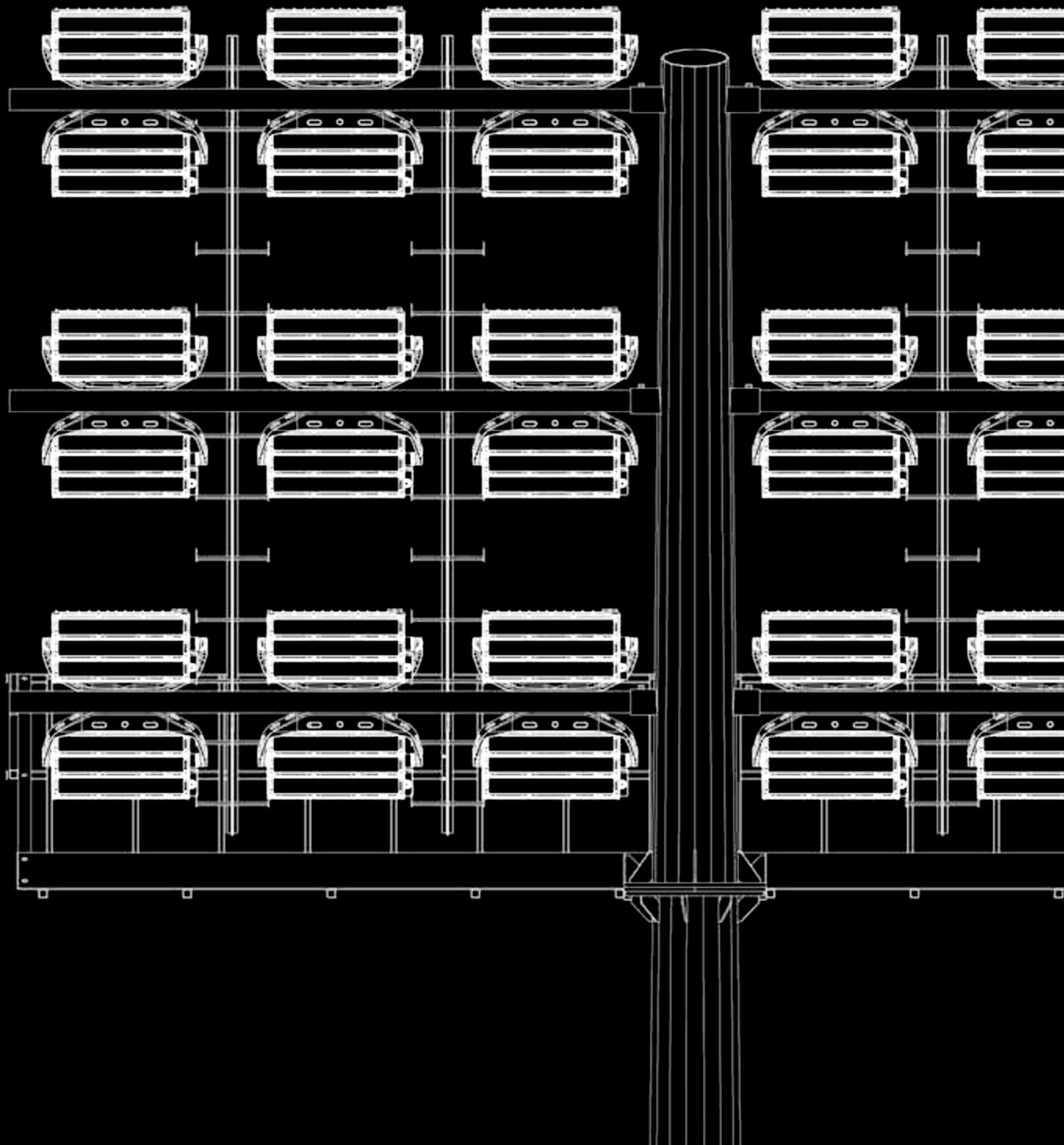


# MOUNTING INSTRUCTIONS

Installation characteristics



# AUO

## Mounting instructions for sport lighting



## LIGHT TOWER

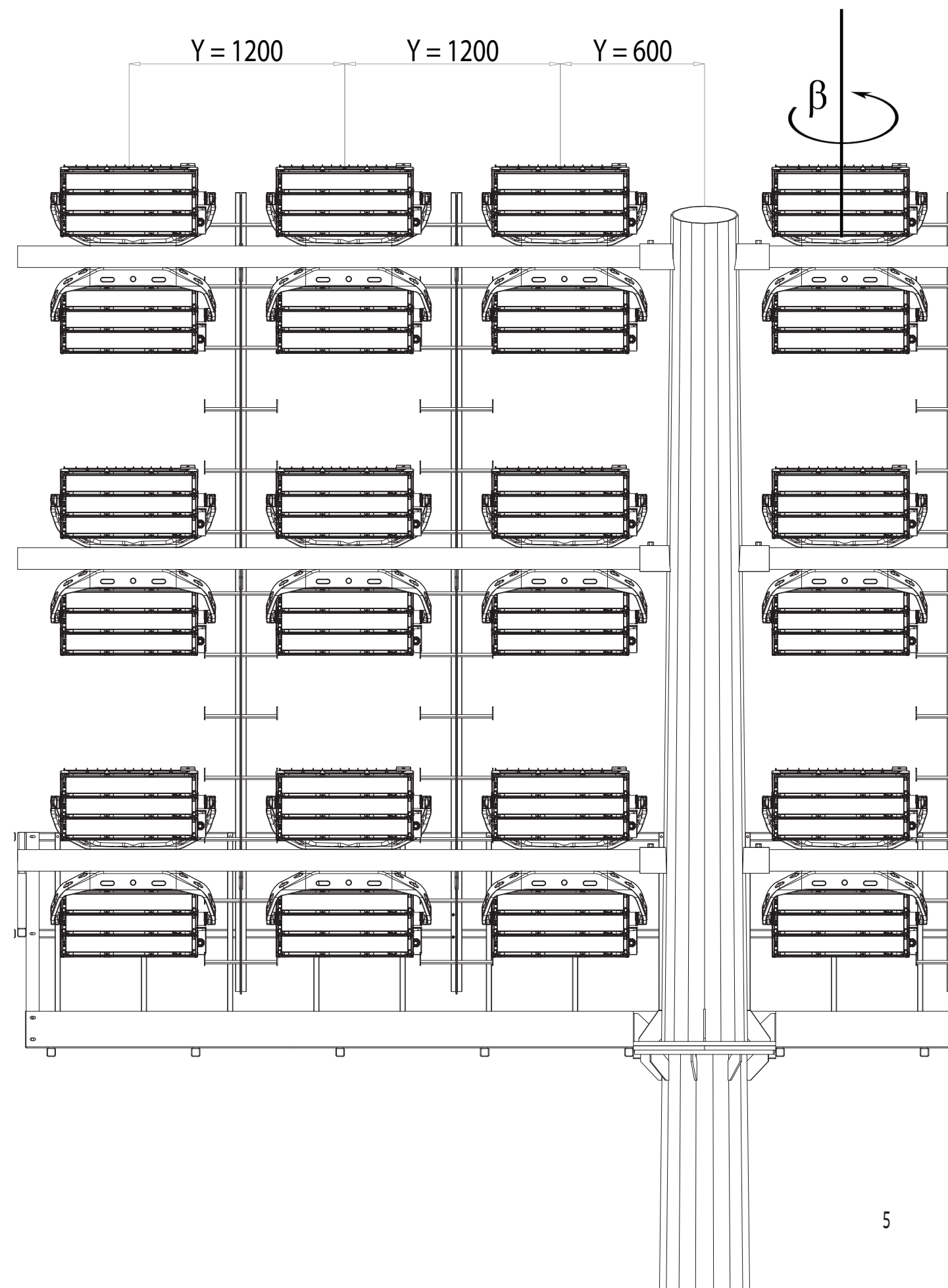
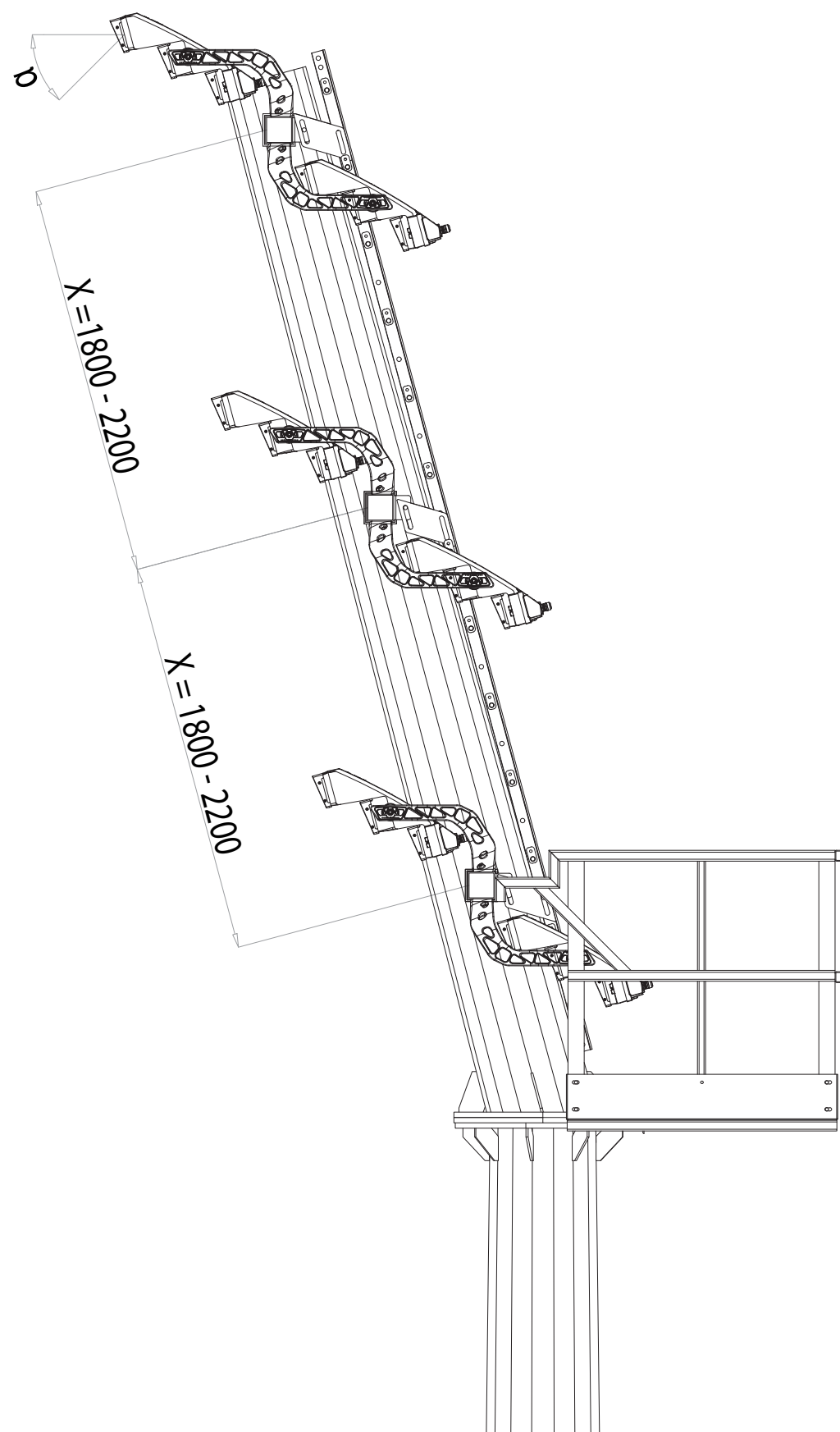
For every optics

$\alpha = 75^\circ - 45^\circ$   
 $X = 1800 - 2200$

$\alpha = 45^\circ - 20^\circ$   
 $X = \text{verify the position}$

$\beta = +/- 45^\circ$   
 $X = 1200$

$\beta \neq +/- 45^\circ$   
 $X = \text{verify the position}$



## CATWALK

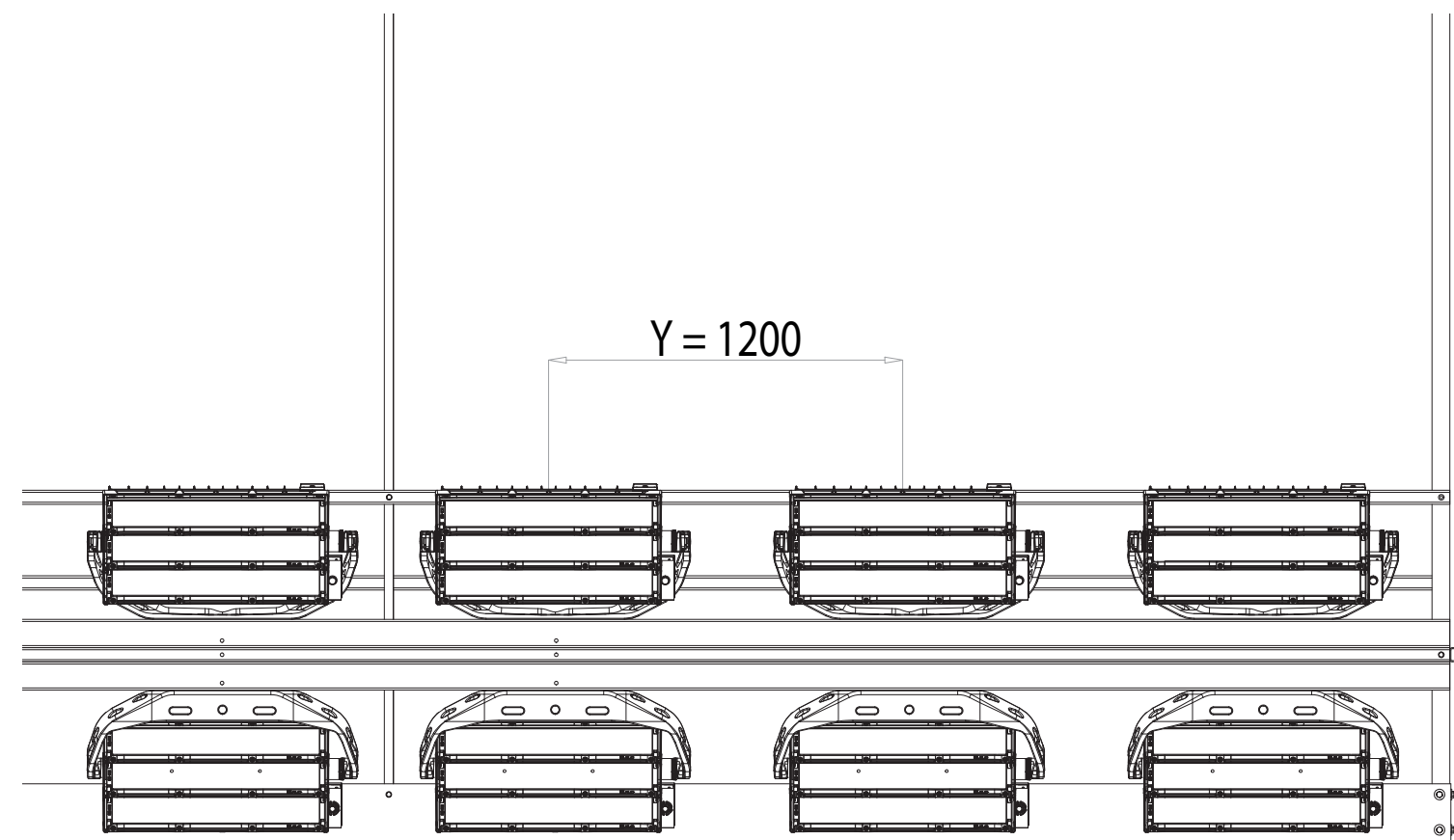
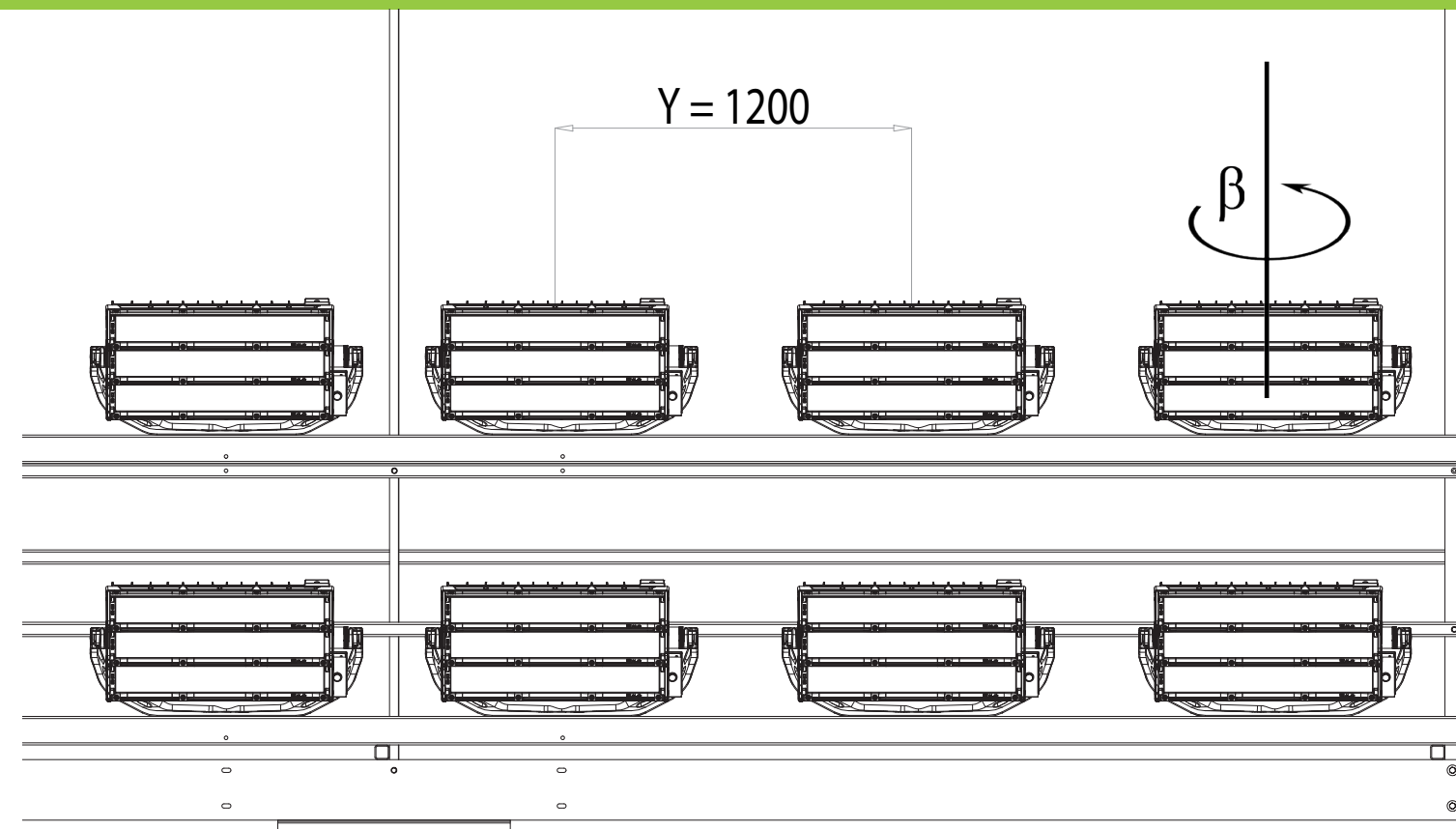
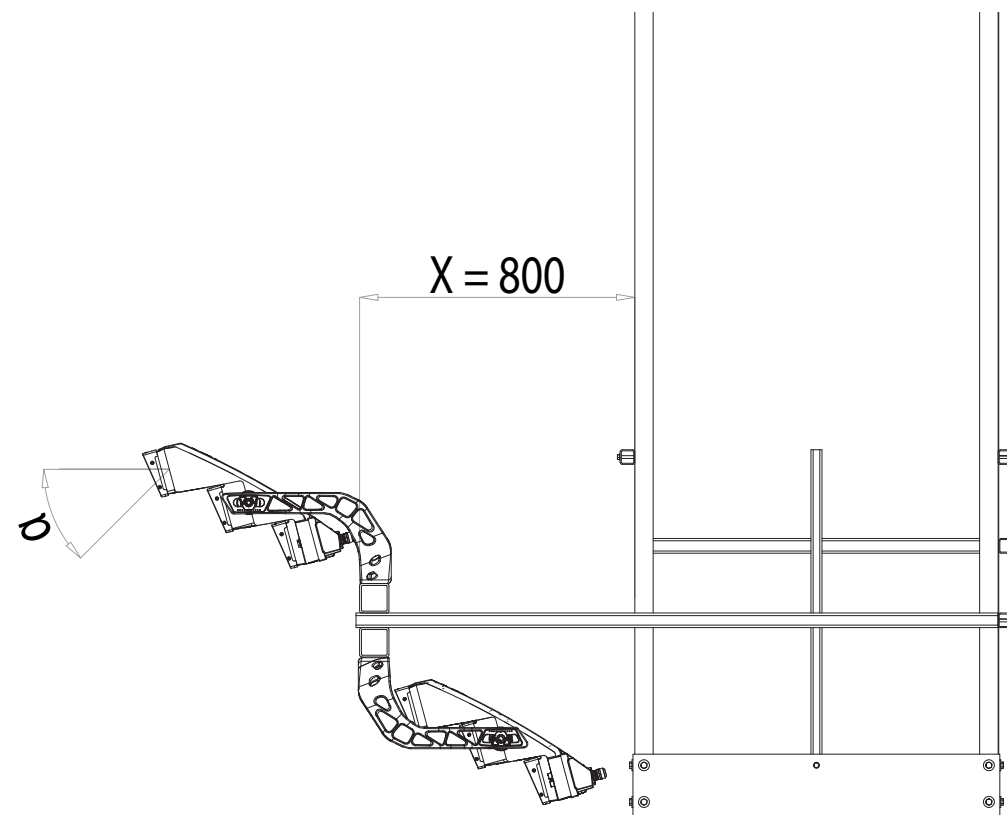
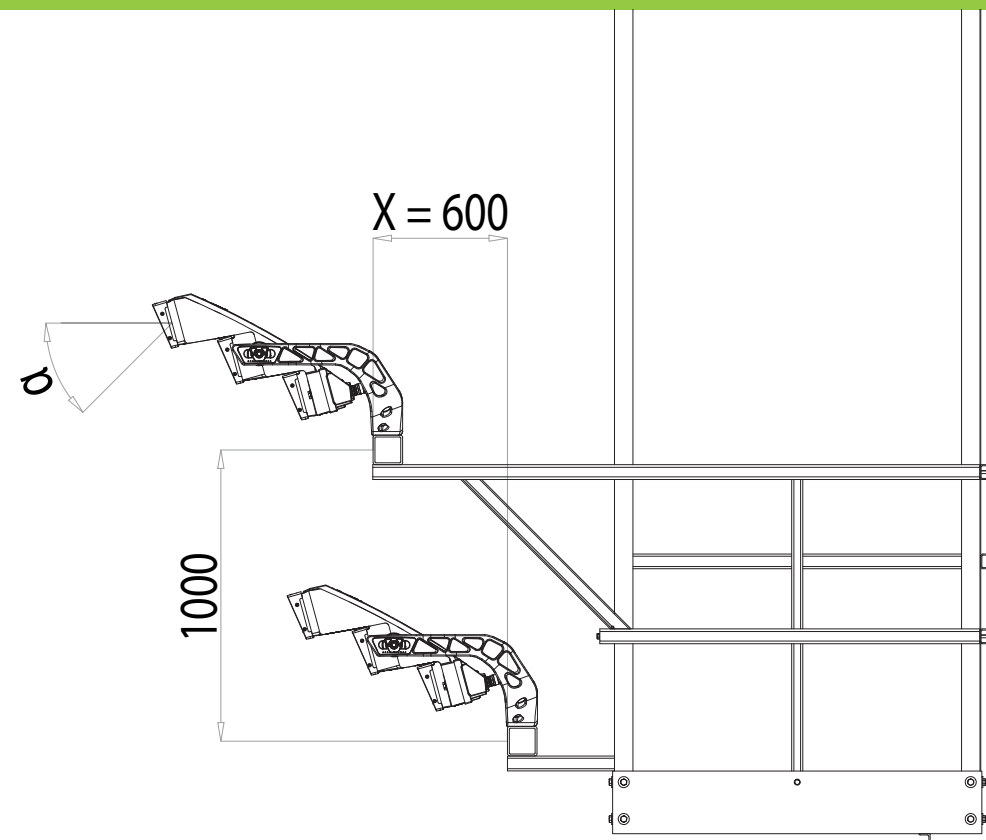
For every optics

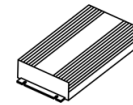
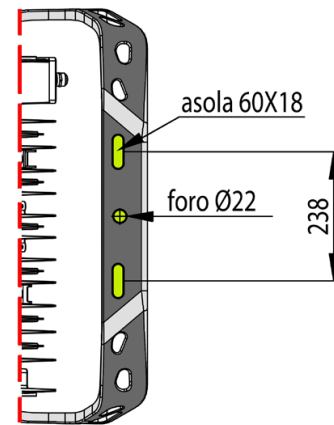
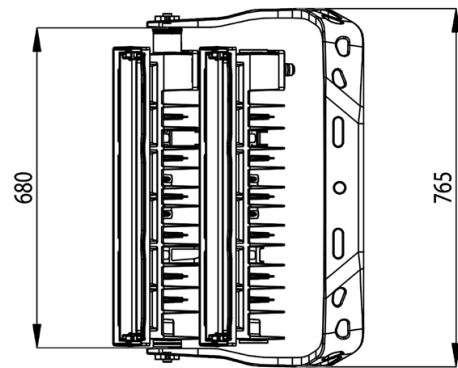
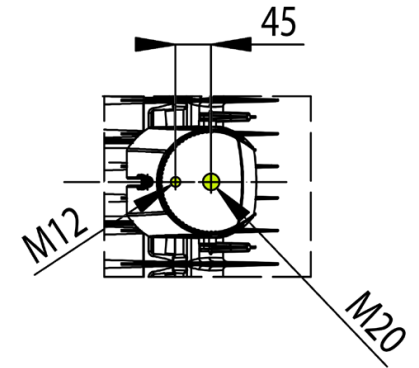
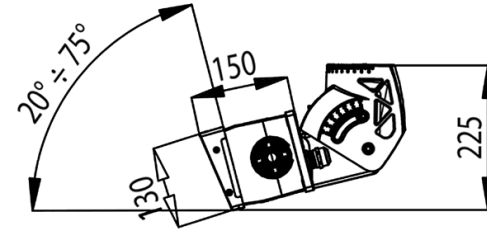
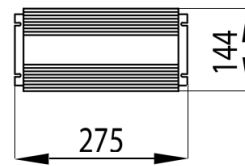
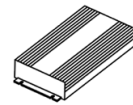
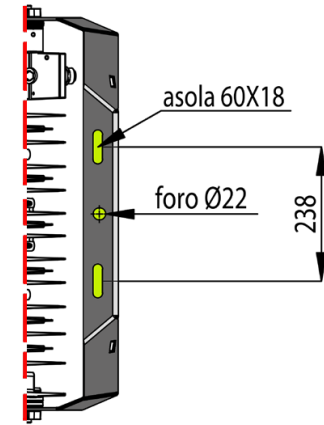
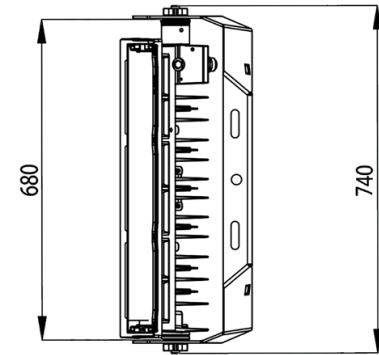
$\alpha = 75^\circ - 45^\circ$   
 $X = 600 - 800$

$\alpha = 45^\circ - 20^\circ$   
 $X = \text{verify the position}$

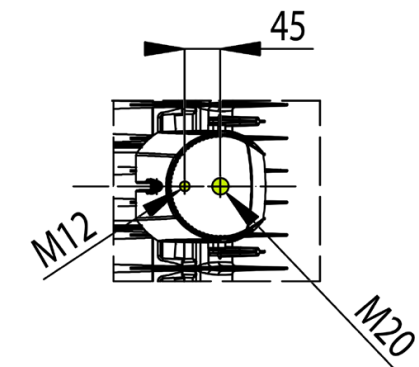
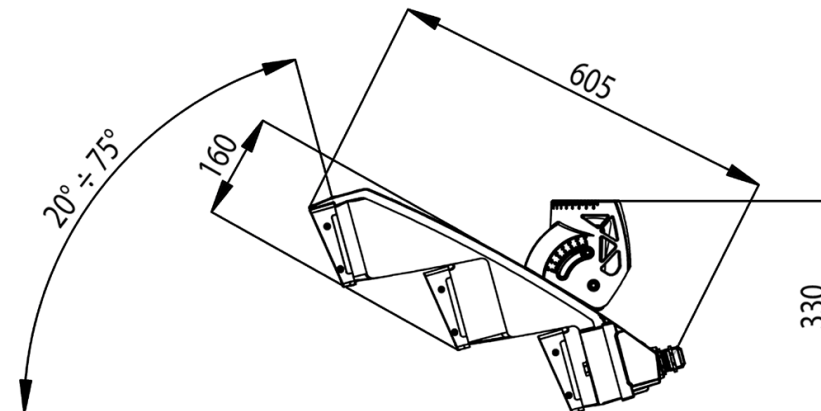
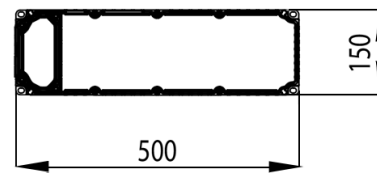
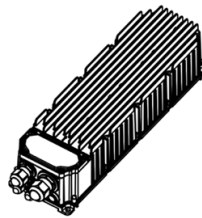
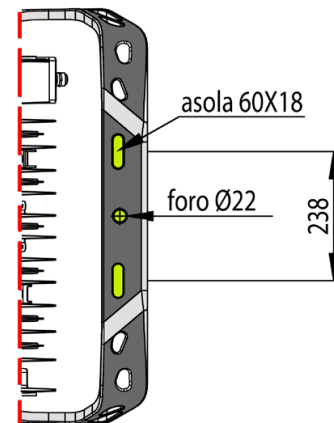
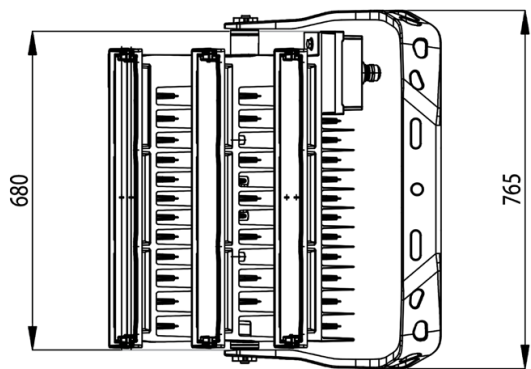
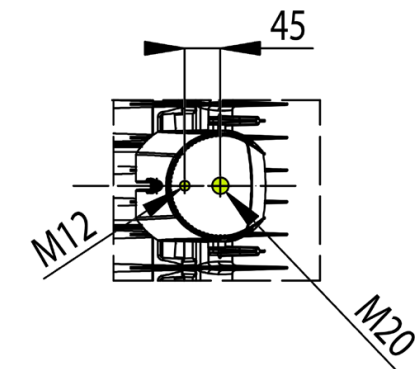
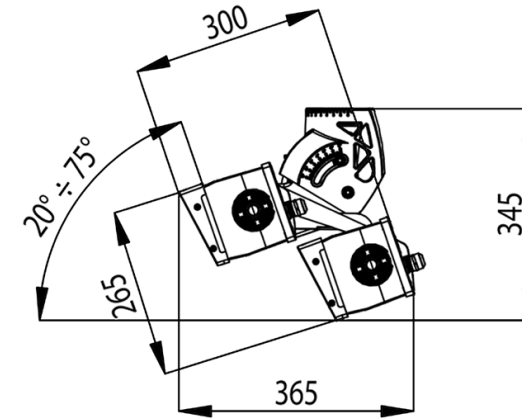
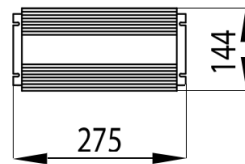
$\beta = +/- 45^\circ$   
 $X = 1200$

$\beta \neq +/- 45^\circ$   
 $X = \text{verify the position}$





**X2**





**AEC Illuminazione Srl**

I-52010 Subbiano - Arezzo - Italy

Via A. Righi 4 - Zona Industriale Castelnuovo

Tel. +39 0575 041110 - Fax +39 0575 420878

[aec@aecilluminazione.it](mailto:aec@aecilluminazione.it) - [www.aecilluminazione.com](http://www.aecilluminazione.com)